

Original BMW Accessories. Installation Instructions.



M Performance Mirror Cap Retrofit

BMW 1 Series (F20, F21)

BMW X1 (E84N)

BMW 3 Series (F30, F31, F34, F35)

BMW 4 Series (F32, F33, F36)

Retrofit kit number

51 16 2 211 904 Right mirror cover

51 16 2 211 905 Left mirror cover

Installation time

The installation time is **approx. 0.50 hours**. This may vary depending on the condition of the car and the equipment in it.

Important information

These installation instructions are primarily designed for use within the BMW dealership organisation and by authorised BMW service companies.

In any event, the target group for these installation instructions is specialist personnel trained on BMW cars with the appropriate specialist knowledge.

All work must be completed using the latest BMW repair manuals, wiring diagrams, servicing manuals and work instructions, in a rational order, using the prescribed tools (special tools) and observing current health and safety regulations.

If you experience installation or function problems, restrict troubleshooting to approx. 0.5 hours for mechanical work and 1.0 hour for electrical work.

To avoid unnecessary extra work and/or costs, an inquiry is to be sent straight away to the technical parts support via the After Sales Assistance Portal (ASAP).

Quote the following information:

- Chassis number,
- Retrofit kit part number,
- A detailed description of the problem,
- Any work already carried out.

Do not archive the hard copy of these installation instructions since daily updates are made via ASAP!

Pictograms



Denotes instructions that draw your attention to dangers.



Denotes instructions that draw your attention to special features.

◀ Denotes the end of the instruction or warning text.

Installation information

All pictures show LHD cars; proceed accordingly on RHD cars.

The installation of the M Performance mirror cap is shown only on the left-hand side. Proceed accordingly on the right-hand side.

Ordering instructions

None

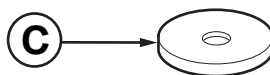
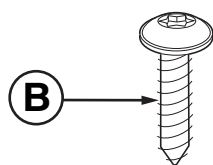
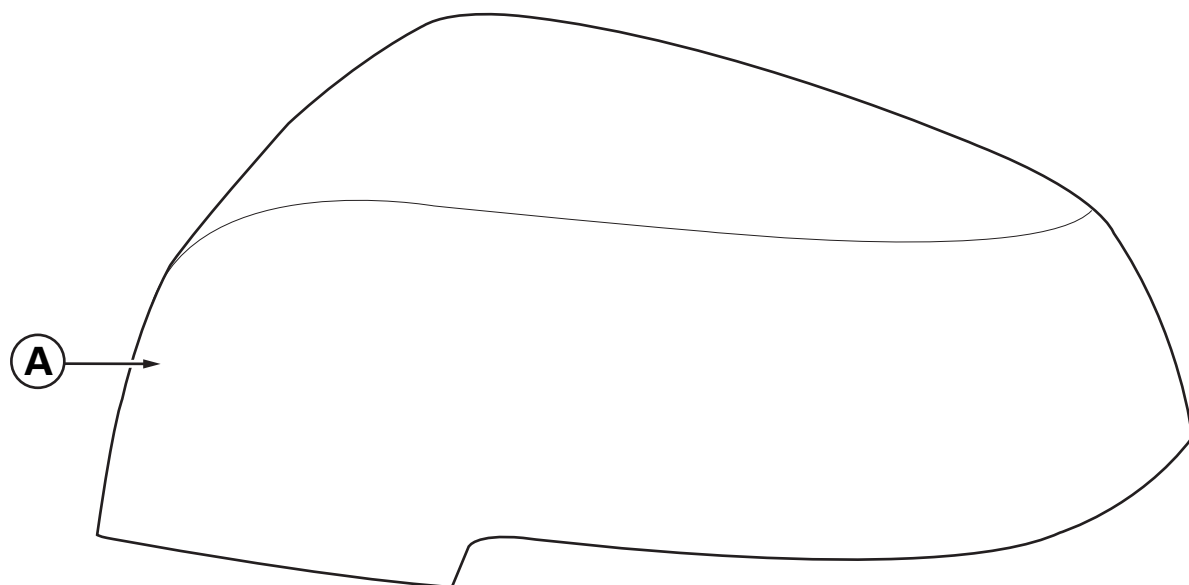
Special tools required

None

Table of contents

Section	Page
1 Parts list	4
2 Preparatory work	5
3 Installing the M Performance mirror cap	6

1. Parts list



F20 0060 V

Legend

- A** M Performance mirror cap
- B** Screw (3 x)
- C** Shim (3 x)

2. Preparatory work

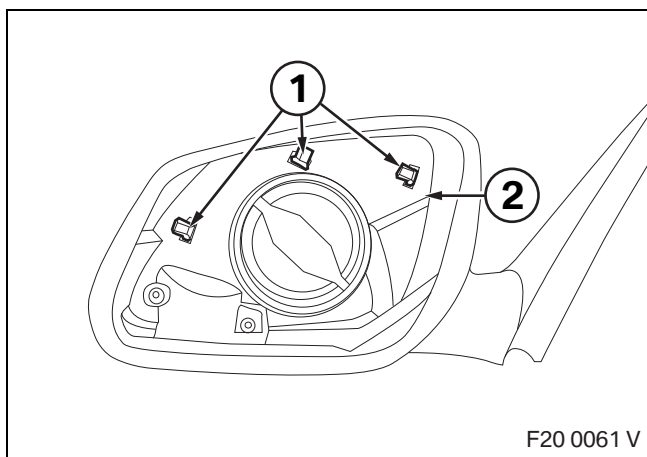
The following components must be removed first of all

ISTA No.

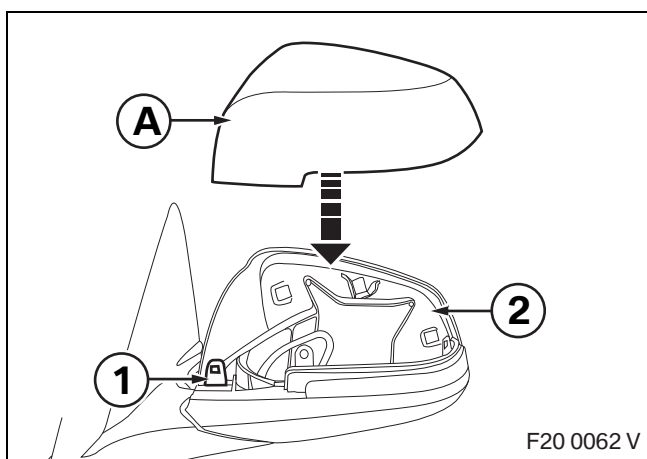
Mirror glass

51 16 026

3. Installing the M Performance mirror cap

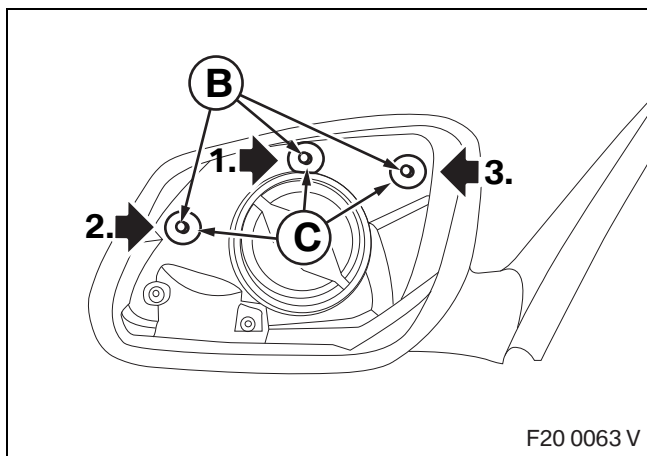


Break off the three lugs (1) from the mirror casing (2).



▶ The M Performance mirror cap **A** must audibly engage in the lug (1).

Place M Performance mirror cap **A** from above onto the mirror casing (2), allowing lug (1) to engage as you do so. ◀



▶ Note the sequence when screwing the components into place. ◀

Screw in screw **B** from the front together with shim **C** first in the centre (1), then on the outside (2) and finally on the inside (3).

Install the mirror glass as per **ISTA No. 51 16 026**.