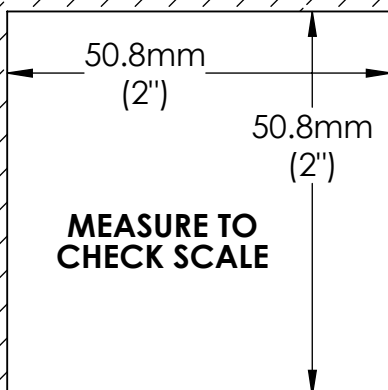


# CHECK SCALE OF PRINTOUT!

WHEN PRINTING FROM ADOBE ACROBAT,  
SET THE PRINT SCALE TO 100%. SOME OF THE  
PAGE MAY BE CLIPPED WHEN PRINTING,  
HOWEVER IT IS IMPORTANT THAT THE TEMPLATE  
IS PRINTED TO SCALE.

**ECS**TUNING

**AUDI B8 CHASSIS 19Z  
FRONT BIG BRAKE KIT  
WHEEL FITMENT TEMPLATE**



FIT INSIDE  
WHEEL BORE