

## INSTALLATION NOTES

- **RH** refers to the *passenger side* of the vehicle.
- **LH** refers to the *driver side* of the vehicle.
- Always use the proper torque specifications.
- If applicable to this installation, torque specifications will be listed throughout the document and at the end as well.
- Please read all of these instructions and familiarize yourself with the complete process **BEFORE** you begin.

## GENERAL PREPARATION AND SAFETY INFORMATION

ECS Tuning cares about your health and safety, please read the following safety information. This information pertains to automotive service in general, and while it may not pertain to every job you do, please remember and share these important safety tips.

- Park your car in a safe, well lit, level area.
- Shut the engine off and remove the key from the ignition switch.
- Make sure any remote start devices are properly disabled.
- **ALWAYS** wear safety glasses.
- Make sure the parking brake is applied until the vehicle is safely lifted and supported.
- Whether lifting a vehicle using an automotive lift or a hydraulic jack, be sure and utilize the factory specified lift points.
- Lifting a vehicle in an incorrect location can cause damage to the suspension/running gear.
- **ALWAYS** support the vehicle with jack stands.
- **ALWAYS** read and follow all safety information and warnings for the equipment you are using.

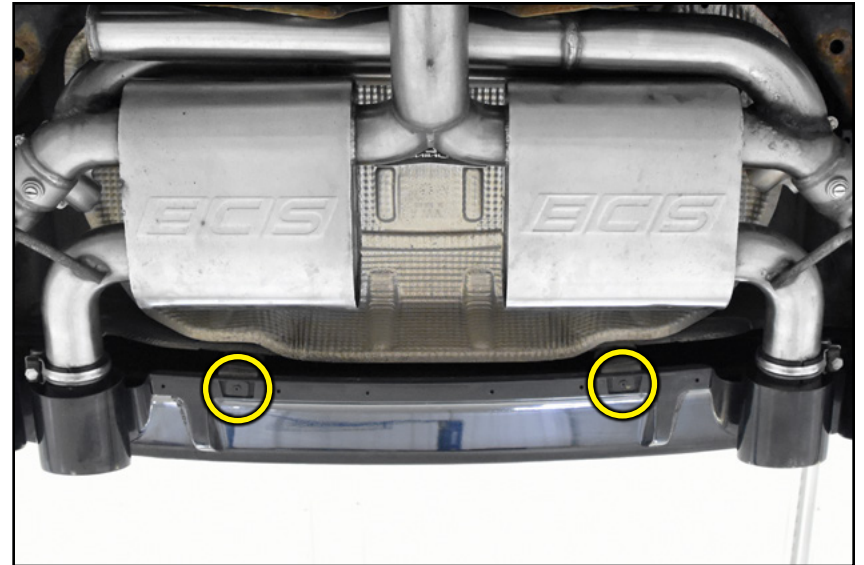


**NEVER** get underneath a vehicle that is supported only by a jack, and **ALWAYS** make sure that the vehicle is securely supported on jack stands.

## INSTALLING THE REAR DIFFUSER KIT

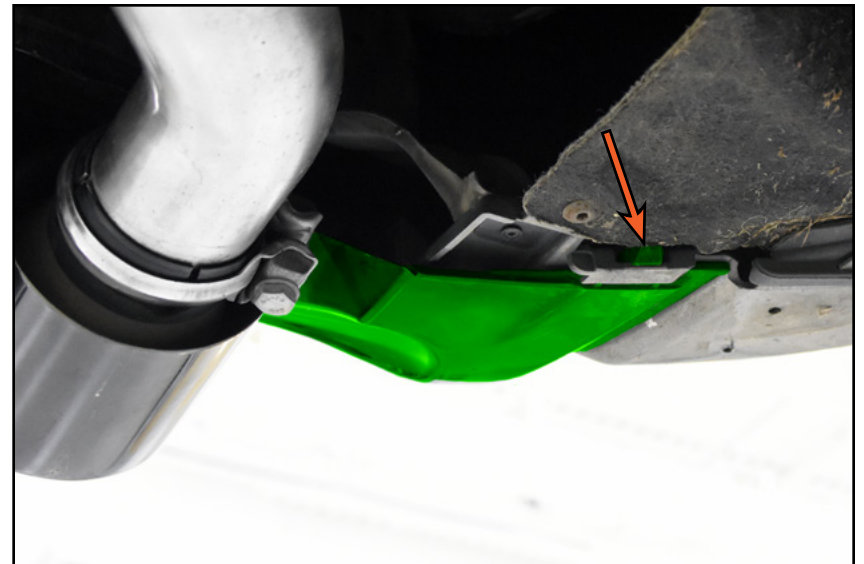
### Step 1: T15 Torx

First, remove the two small T15 torx plastic screws from the rectangle-shaped clips (circled in **YELLOW**) on the underside of the stock rear valance, then pull down to pop the clips free from the valance.



### Step 2:

Pull the corner of the valance (highlighted in **GREEN**) free from the bumper by popping the mounting tab (arrow) free from the bumper on either side.



## INSTALLING THE REAR DIFFUSER KIT

### Step 3:

Firmly pull the valance away from the bumper, starting on the sides and slowly working your way towards the center until it pops free.

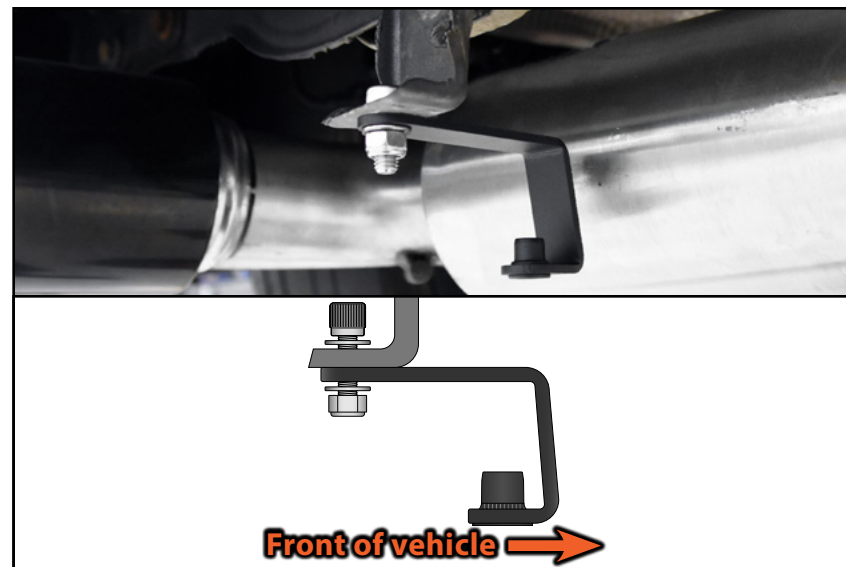


Removing the stock rear valance will take a good bit of force. Place one hand on the rear bumper to brace it, then grip the valance at the first clip and firmly pull back until the clip pops free from the bumper. Repeat this process with each clip until the valance comes free.



### Step 4: 6mm Hex (Allen), 13mm Wrench

Install the provided brackets into the two factory mounting brackets, making sure the brackets face towards the front of vehicle as shown in the illustration on the bottom.



## INSTALLING THE REAR DIFFUSER KIT

### Step 5:

Peel 1-2 inches of backing off of the double sided tape and fold it over to the side as shown. The goal here is to “dog ear” the backing strip so we can still pull it out even after the diffuser is installed into the bumper.



### Step 6:

Carefully lift the new carbon fiber diffuser into place and gently push inward to pop the mounting clips into the bumper, holding it in place.



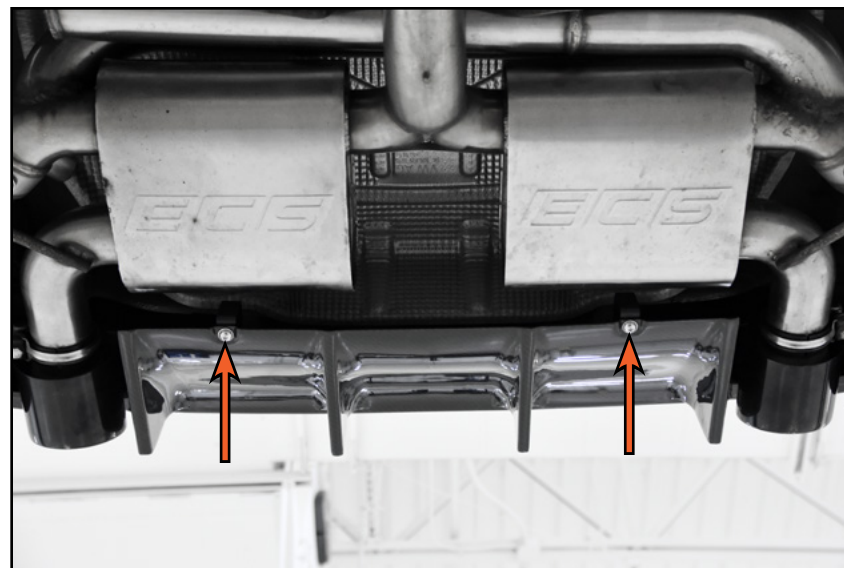
## INSTALLING THE REAR DIFFUSER KIT

### Step 7: 6mm Hex (Allen)

Install the two mounting bolts (arrows) through the diffuser and into the mounting brackets as shown and tighten until snug.



Be careful not to over tighten the bolts. Over tightening the bolts can crack the carbon fiber.



### Step 8:

Push upward on the diffuser to hold it in place while slowly pulling the backing strip out.



Take your time here, a little patience can help you to avoid accidentally tearing the backing strip, or causing the double sided tape to not fully adhere to the vehicle.



## INSTALLING THE REAR DIFFUSER KIT

### Step 9: T25 Torx

Secure the sides of the diffuser to the bumper using three of the supplied self-tapping screws on either side.



The holes in the bottom of the diffuser are only meant to be large enough to allow a torx screwdriver to pass through. Hold the screw in place and slide the screwdriver up through the hole and tighten the screw until snug.



### Step 10:

Carefully remove any smudges, residue, or fingerprints from the carbon fiber using a clean microfiber cloth and quick detailing spray.

To help keep your diffuser looking like new, we highly recommend investing in a carbon fiber cleaning and care kit ([ES2914954](#)). Each kit includes everything you need to maintain the gloss coat to prevent fading and clouding, ensuring that your diffuser keeps looking sharp for years to come.

***Congratulations, your installation is complete!***



## SCHWABEN - BUILD THE ULTIMATE TOOL COLLECTION

At ECS Tuning, we carry a line of high quality Schwaben Tools and Equipment to help you build your ultimate tool collection. Never before has affordability and quality been so closely related. Our entire Schwaben line is subjected to strict in house testing for strength and durability. See what we have to offer and equip your garage without breaking the bank.



## Your Carbon Fiber Rear Diffuser installation is complete!



### These instructions are provided as a courtesy by ECS Tuning

Proper service and repair procedures are vital to the safe, reliable operation of all motor vehicles as well as the personal safety of those performing the repairs. Standard safety procedures and precautions (including use of safety goggles and proper tools and equipment) should be followed at all times to eliminate the possibility of personal injury or improper service which could damage the vehicle or compromise its safety.

Although this material has been prepared with the intent to provide reliable information, no warranty (express or implied) is made as to its accuracy or completeness. Neither is any liability assumed for loss or damage resulting from reliance on this material. SPECIFICALLY, NO WARRANTY OF MERCHANTABILITY, FITNESS FOR A PARTICULAR PURPOSE OR ANY OTHER WARRANTY IS MADE OR TO BE IMPLIED WITH RESPECT TO THIS MATERIAL. In no event will ECS Tuning, Incorporated or its affiliates be liable for any damages, direct or indirect, consequential or compensatory, arising out of the use of this material.