



Audi B8 Q5/SQ5 Street Shield Skid Plate Installation Instructions - [Click HERE to Shop](#)



Skill Level 1 - Easy

**Basic Skills
Required**



Proper service and repair procedures are vital to the safe, reliable operation of all motor vehicles as well as the personal safety of those performing the repairs. Standard safety procedures and precautions (including use of safety goggles and proper tools and equipment) should be followed at all times to eliminate the possibility of personal injury or improper service which could damage the vehicle or compromise its safety.

INSTALLATION NOTES

- **RH** refers to the *passenger side* of the vehicle.
- **LH** refers to the *driver side* of the vehicle.
- Always use the proper torque specifications.
- If applicable to this installation, torque specifications will be listed throughout the document and at the end as well.
- Please read all of these instructions and familiarize yourself with the complete process **BEFORE** you begin.

GENERAL PREPARATION AND SAFETY INFORMATION

ECS Tuning cares about your health and safety, please read the following safety information. This information pertains to automotive service in general, and while it may not pertain to every job you do, please remember and share these important safety tips.

- Park your car in a safe, well lit, level area.
- Shut the engine off and remove the key from the ignition switch.
- Make sure any remote start devices are properly disabled.
- **ALWAYS** wear safety glasses.
- Make sure the parking brake is applied until the vehicle is safely lifted and supported.
- Whether lifting a vehicle using an automotive lift or a hydraulic jack, be sure and utilize the factory specified lift points.
- Lifting a vehicle in an incorrect location can cause damage to the suspension/running gear.
- **ALWAYS** support the vehicle with jack stands.
- **ALWAYS** read and follow all safety information and warnings for the equipment you are using.

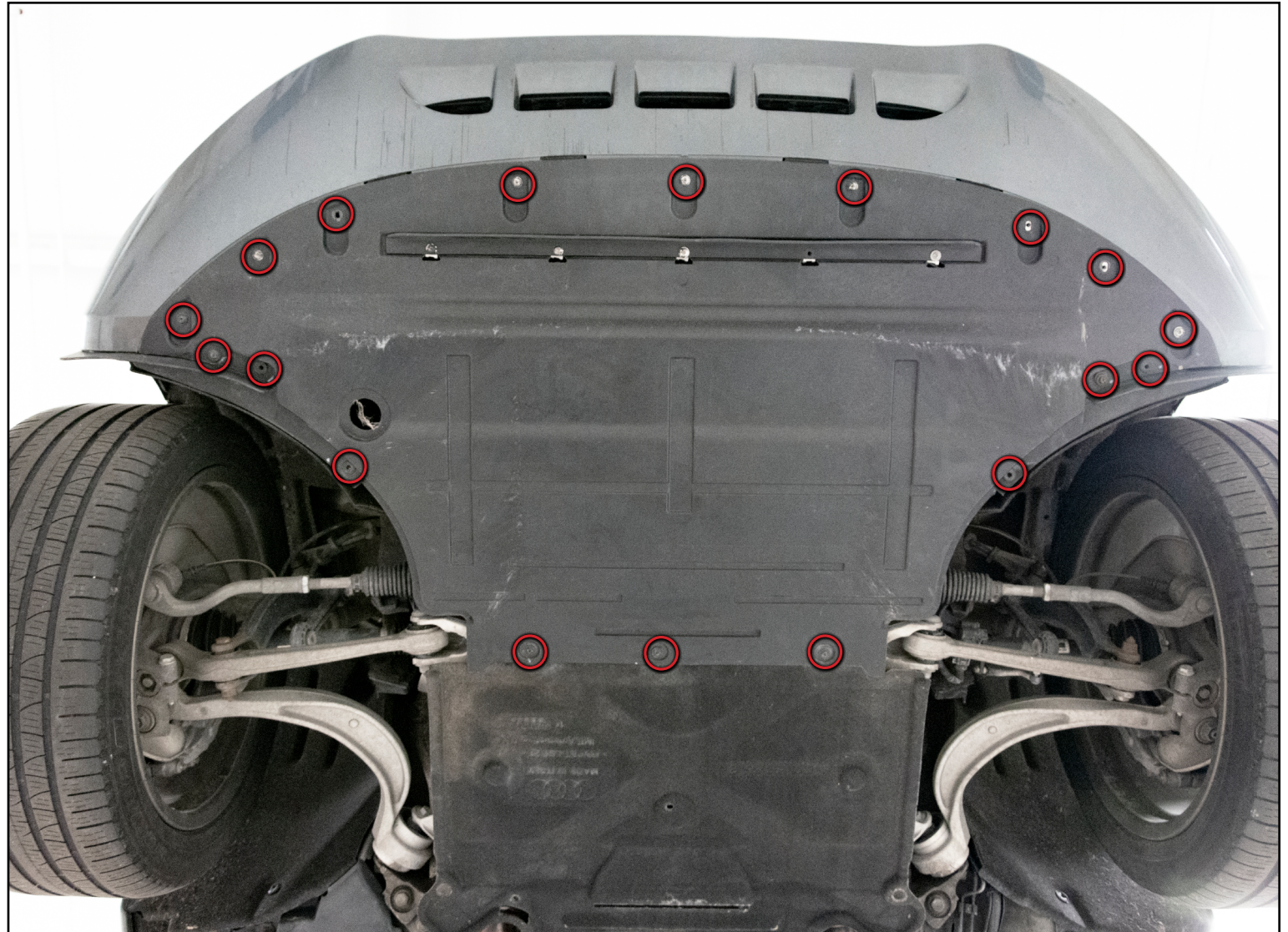


NEVER get underneath a vehicle that is supported only by a jack, and **ALWAYS** make sure that the vehicle is securely supported on jack stands.

INSTALLING THE STREET SHIELD SKID PLATE

Step 1:

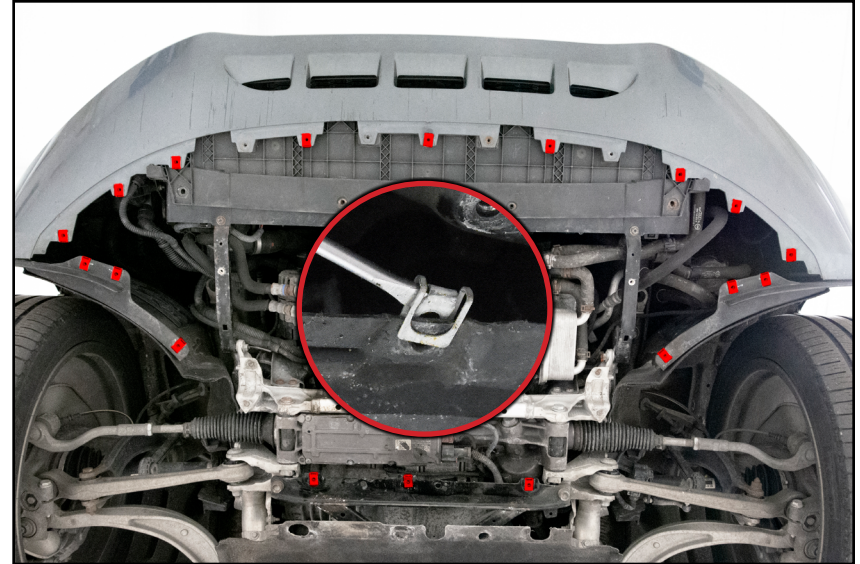
Safely lift and support the vehicle. Remove the fasteners (circled in **RED**), then pull the stock insulation panel rearward to remove it.



INSTALLING THE STREET SHIELD SKID PLATE

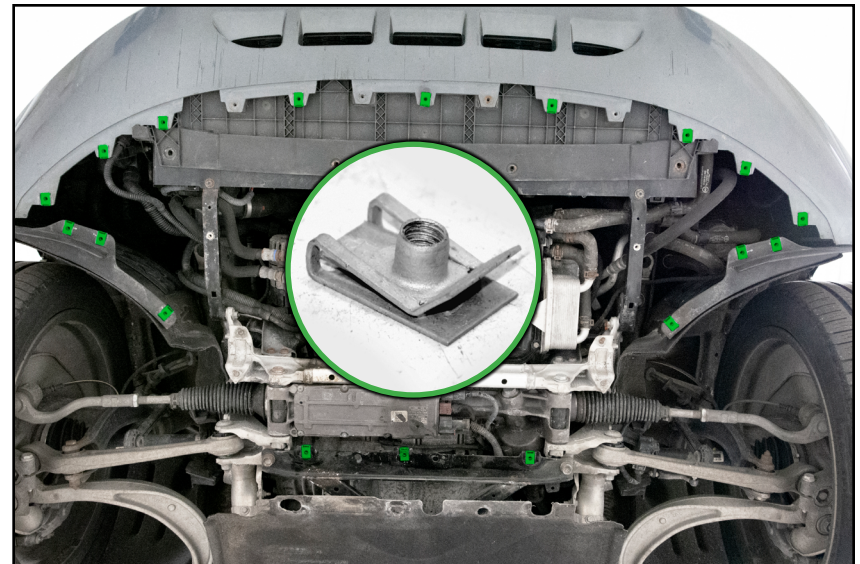
Step 2: Flat Head Screwdriver -OR- Pick Tool

Pry all the speed clips (highlighted in **RED**) off of the vehicle using a flat head screwdriver or pick tool.



Step 3:

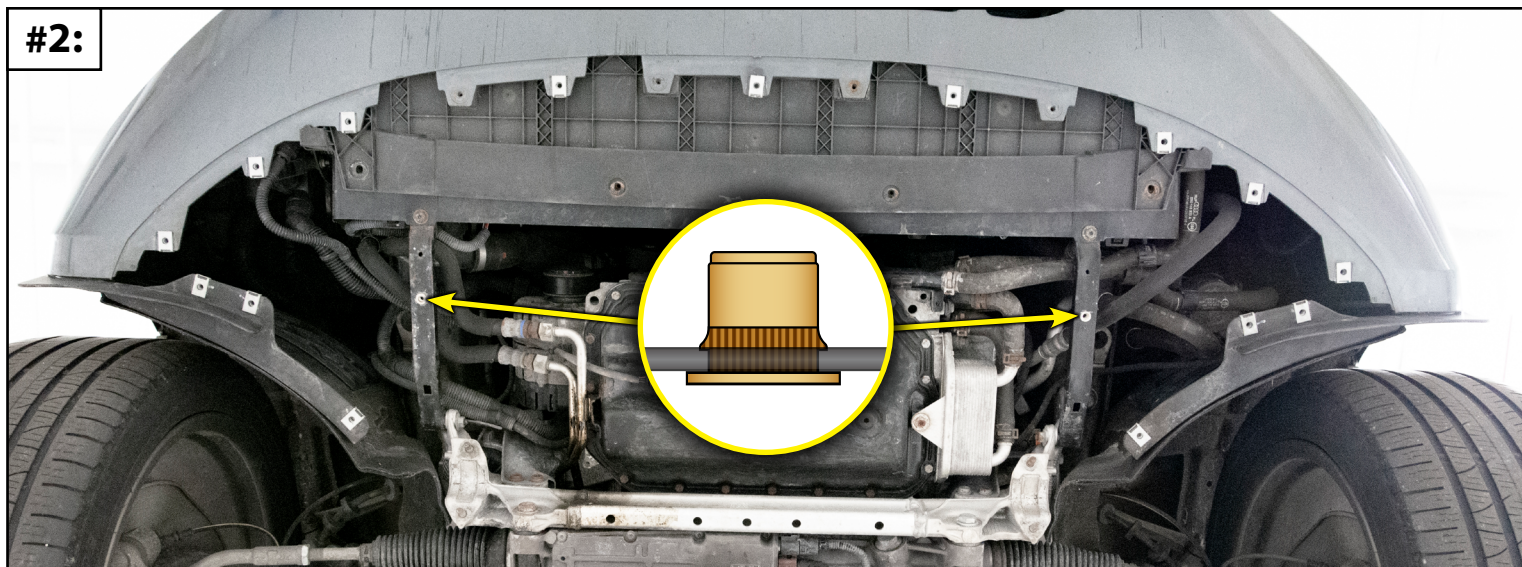
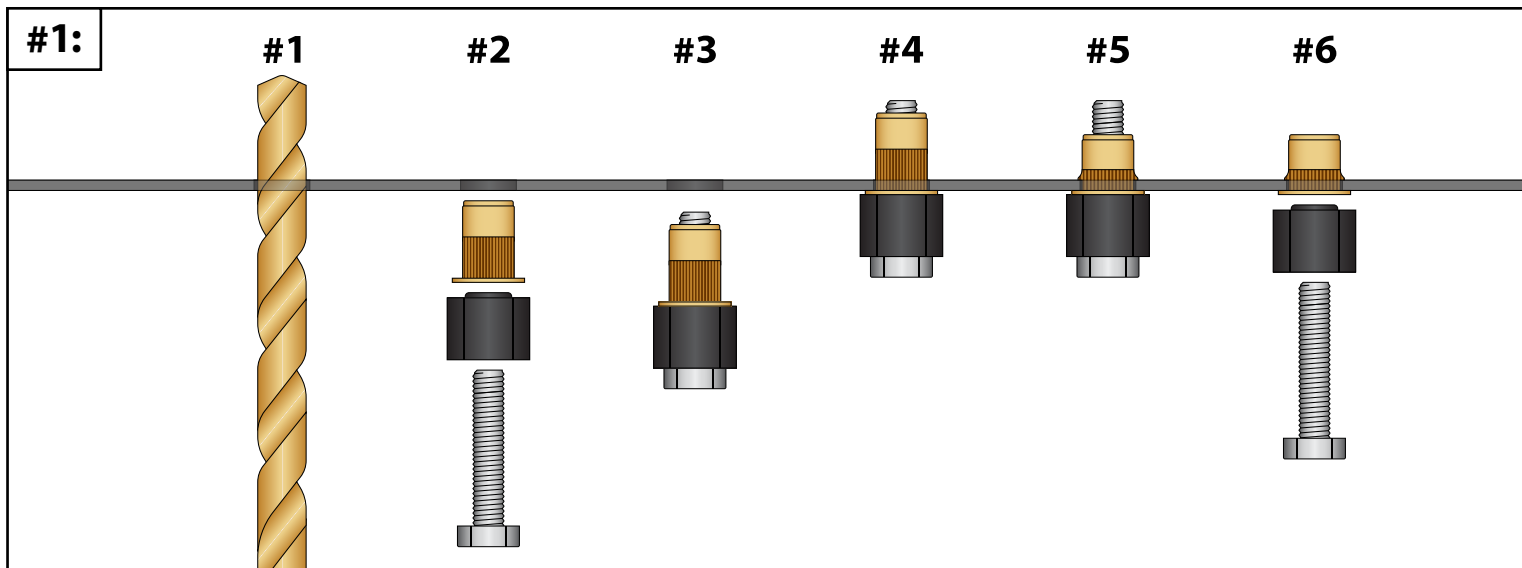
Install the eighteen provided clip nuts (highlighted in **GREEN**) onto the vehicle in place of the speed clips that were removed.



INSTALLING THE STREET SHIELD SKID PLATE

Step 4:

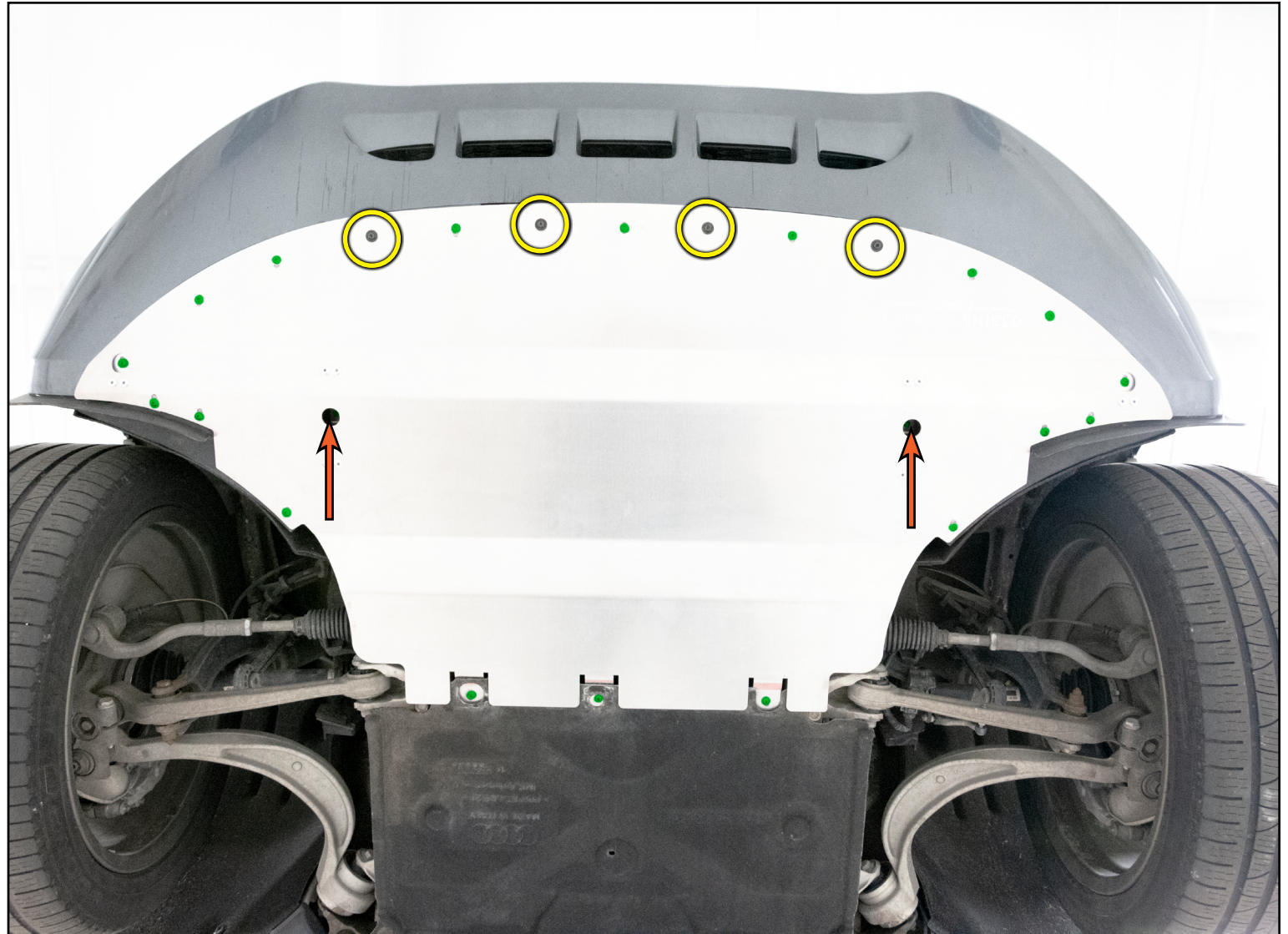
There are two pre-existing holes in the longitudinal braces that we will be installing riv-nuts into (as shown in **Photo #2**). First, we will need to drill out each hole with a 10mm drill bit. Then, using the provided riv-nut tool (as shown in illustration #1), install the provided M6 riv-nuts into the two holes and crimp them into place.



INSTALLING THE STREET SHIELD SKID PLATE

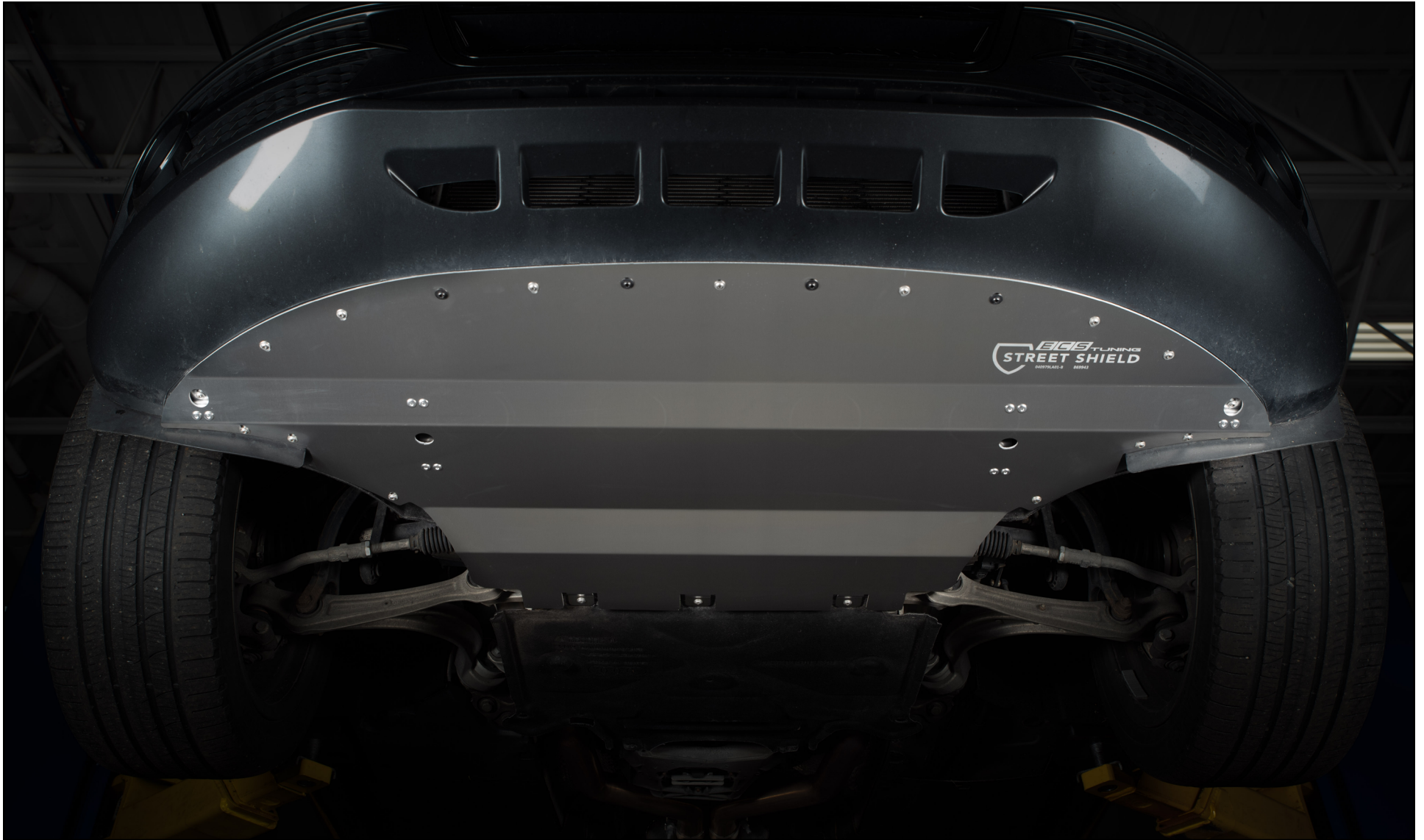
Step 5:

Lift the new street shield into place and install two of the provided M6 bolts (arrows) to secure it into place, then install the four supplied T30 Torx screws (circled in **YELLOW**). Install the eighteen remaining M6 bolts (highlighted in **GREEN**) and tighten all the hardware until snug.



***Congratulations,
your installation is
complete!***

Your Street Shield Skid Plate installation is complete!



These instructions are provided as a courtesy by ECS Tuning

Proper service and repair procedures are vital to the safe, reliable operation of all motor vehicles as well as the personal safety of those performing the repairs. Standard safety procedures and precautions (including use of safety goggles and proper tools and equipment) should be followed at all times to eliminate the possibility of personal injury or improper service which could damage the vehicle or compromise its safety.

Although this material has been prepared with the intent to provide reliable information, no warranty (express or implied) is made as to its accuracy or completeness. Neither is any liability assumed for loss or damage resulting from reliance on this material. SPECIFICALLY, NO WARRANTY OF MERCHANTABILITY, FITNESS FOR A PARTICULAR PURPOSE OR ANY OTHER WARRANTY IS MADE OR TO BE IMPLIED WITH RESPECT TO THIS MATERIAL. In no event will ECS Tuning, Incorporated or its affiliates be liable for any damages, direct or indirect, consequential or compensatory, arising out of the use of this material.