



ZIZA

AUDI A3 8V

INTERIOR LIGHTING KIT

INSTALLATION

TUTORIAL

General Tips

- When prying down on the assemblies to remove them, pry on the notched end of the lens. Insert the narrow tool tip **between** the lens plastic and any metal collar used to reinforce the lens mounting hole. Push in on the retaining clip first to compress and release it. Then pry down.
- The spring bulb retainer is also the circuit conductor. If necessary, gently bend the metal retainer so it holds the bulb tight. This will help prevent intermittent or flickering LED operation caused by a loose connection.
- Install the bulbs with the LEDs facing *toward the lens*.

Right Sun Visor (1), Left Sun Visor (1)

36mm White LED Festoon Bulb

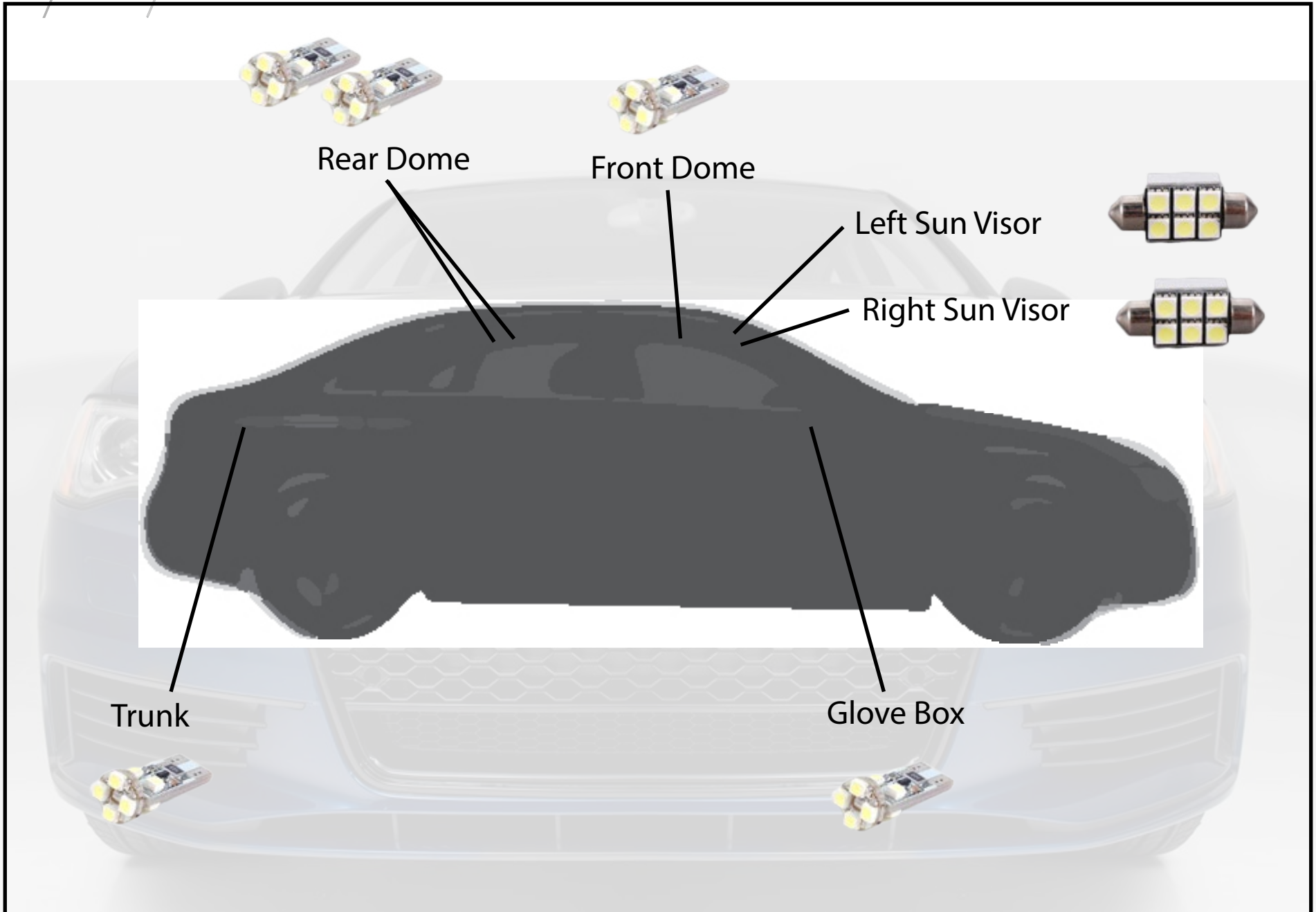


Front Dome (1), Rear Dome (2)
Glove Box (1), Trunk (1)

T10 Base Cool White 8 Chip LED Bulb



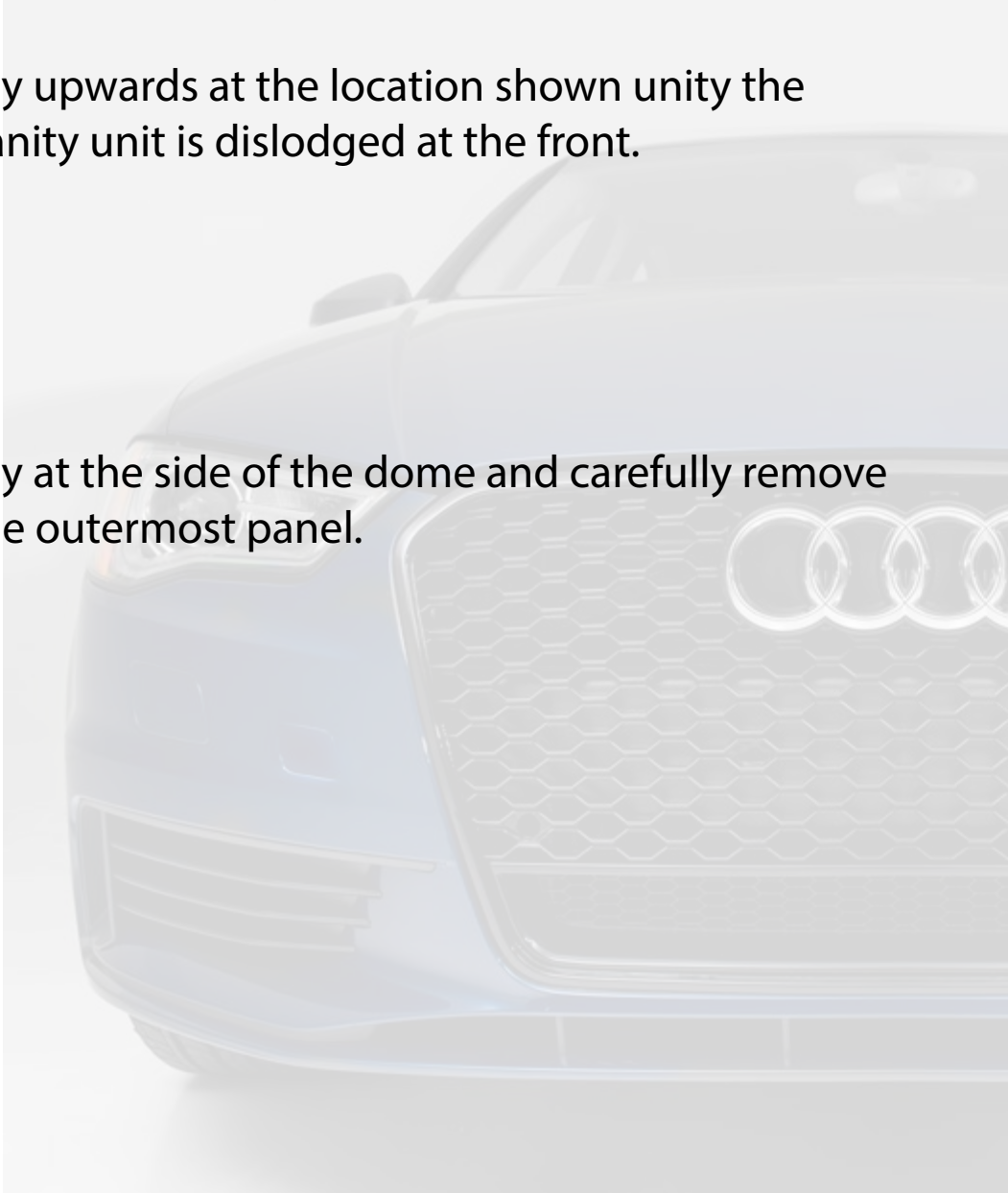
GEN 3 AUDI A3 ZIZA INTERIOR LIGHTING KIT



The front center dome lights are accessed by removing an outer vanity unit, then removing the bulb housing itself.

Pry upwards at the location shown unity the vanity unit is dislodged at the front.

Pry at the side of the dome and carefully remove the outermost panel.



Once you've revealed the bulb housing unit, pry very carefully at the location shown until the front of the bulb housing dislodges partially.



Then pry towards the rear; this will require moderate effort, as this portion of the assembly is connected to the car with a steel retainer clip.

Take caution not to break any securing tabs

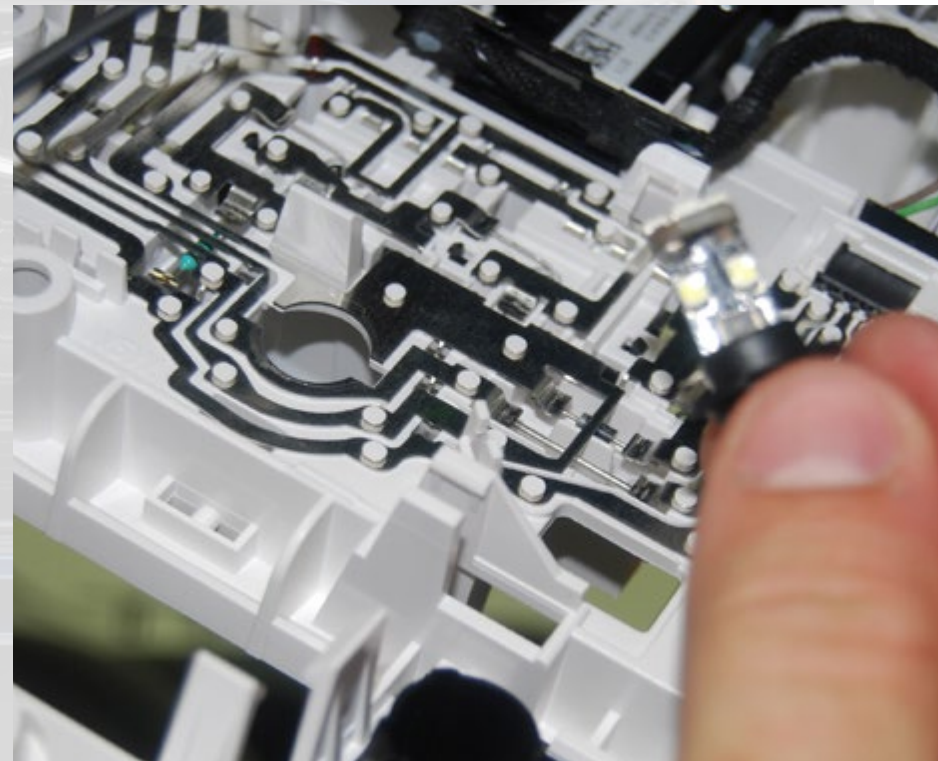
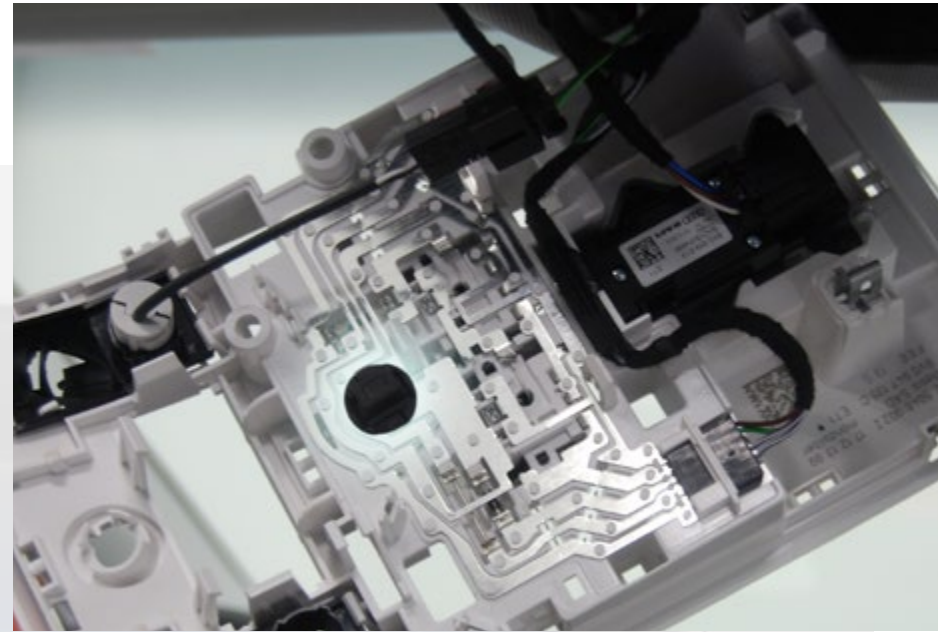


Once the bulb housing is fully removed from the vehicle, you will notice the circuitry and black incandescent bulb cap.

Twist counter-clockwise on the cap until it frees itself from the housing.

Remove the incandescent bulb and replace with a T10 Base Cool White 8 Chip LED Bulb. Slide the LED in place and press the dome light 'on' button to check that the polarity is accurate.

If the bulb does not light, rotate the LED 180 degrees and reinsert the light. The LED will now illuminate.

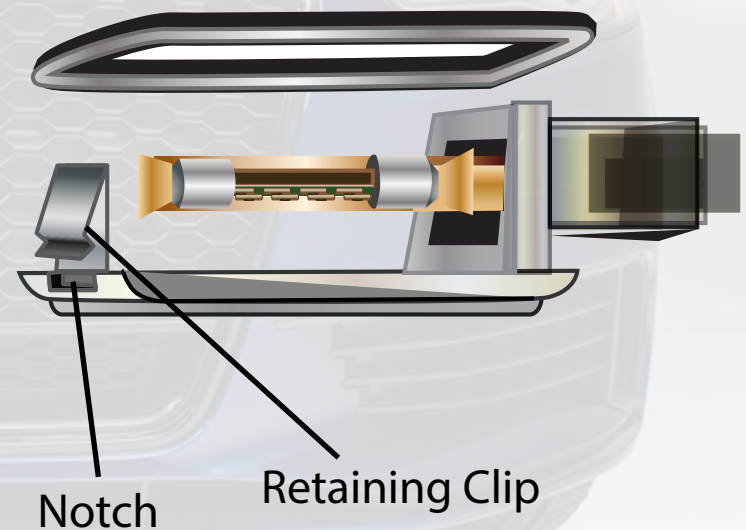


The visor bulb assemblies consist of a clear plastic housing and a steel backing plate. First, pry upwards at the location shown.

You will see by looking carefully at the clear housing that there is a small notch that indicates the position of the retaining clip. This is the side you will pry from.



Do not pull with excessive force on the unit; if you are prying at the correct side, the assembly will fall out with little effort.



Once the steel backing is revealed, using the non-marring tool or a screwdriver to pry upwards at the location shown, remove the backing.



You will see the incandescent festoon secured between two connector tabs.

Replace the incandescent bulb with the 36mm White LED Festoon Bulb, making sure the LED diodes face outwards through the clear plastic lens.

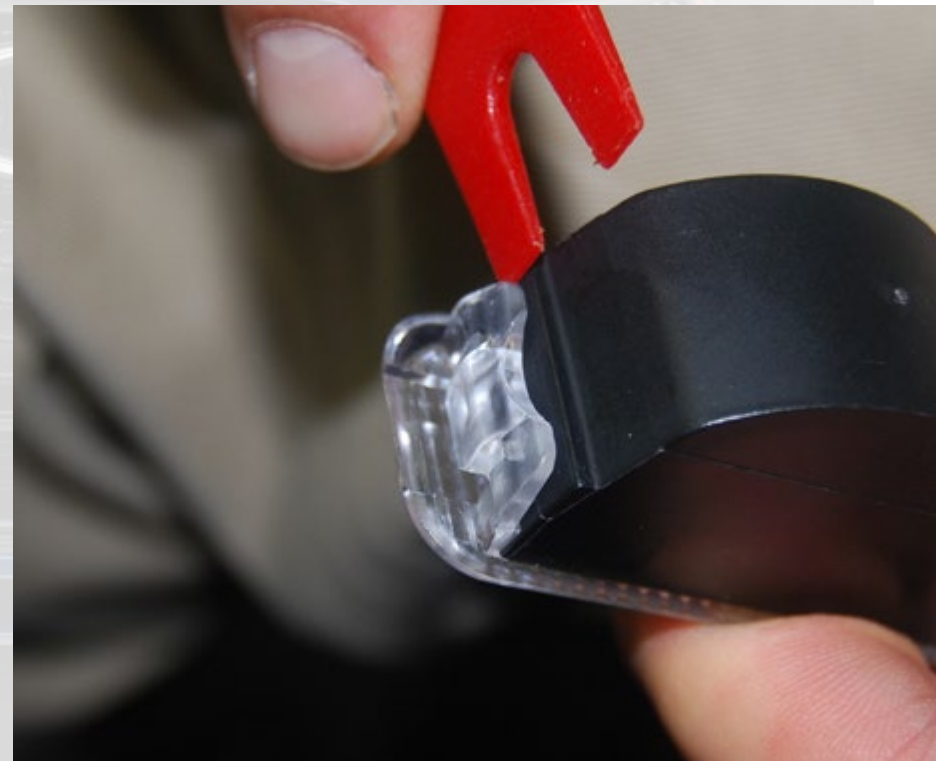


The glove box bulb assembly is removed from the vehicle in much the same way as the visor assembly.

Locate the indented area of the lens and pry upwards with the non-marring tool (location shown in picture).

Once the bulb housing is dislodged, you will notice a black backing to this unit.

Pry up on the clear plastic lens at the location shown, revealing the incandescent wedge. Replace with a T10 Base Cool White 8 Chip LED Bulb.



The rear dome assembly consists of two separate units, an outer vanity plate containing two clear lenses, and an inner bulb housing.

Pry up at the front of the dome using the non-marring tool. Do not pry at any other location; the clips are situated such that it will only remove by prying at the location shown.



Once the bulb housing is fully removed from the vehicle, note the presence of several tabs securing the vanity plate to the bulb housing.

Use the non-marring tool to gently release the tabs from the housing, as shown in the picture. The vanity plate and bulb housing will separate from each other.

Take caution not to break any securing tabs.



You will now see the two incandescent bulbs. Remove them by hand or gently with pliers if they have become excessively hot or difficult to remove.

Replace them both with T10 Base Cool White 8 Chip LED Bulb and check again for polarity. If the LED does not illuminate when the dome 'on' switch is pressed, rotate the bulb 180 degrees and reinstall.

Clip the two halves of the rear dome assembly together, and reinstall the bulb assembly into the vehicle.



The trunk bulb is located towards the right rear of the vehicle.

Again, notice the location of the bulb's clip by carefully inspecting the lens. Pry at this location, shown in the picture, and remove the bulb lens.



Replace the incandescent bulb with a T10 Base Cool White 8 Chip LED Bulb and reinstall the bulb housing.



Once your full set of LED's are installed, turn the ignition to the second position and re-inspect each bulb location making sure there is no light flickering.

Your newly installed Ziza LEDs will emit a whiter light, run cooler, and last longer!



This tutorial is provided as a courtesy by ECS Tuning.

Proper service and repair procedures are vital to the safe, reliable operation of all motor vehicles as well as the personal safety of those performing the repairs. Standard safety procedures and precautions (including use of safety goggles and proper tools and equipment) should be followed at all times to eliminate the possibility of personal injury or improper service which could damage the vehicle or compromise its safety.

Although this material has been prepared with the intent to provide reliable information, no warranty (express or implied) is made as to its accuracy or completeness. Neither is any liability assumed for loss or damage resulting from reliance on this material. SPECIFICALLY, NO WARRANTY OF MERCHANTABILITY, FITNESS FOR A PARTICULAR PURPOSE OR ANY OTHER WARRANTY IS MADE OR TO BE IMPLIED WITH RESPECT TO THIS MATERIAL. In no event will ECS Tuning, Incorporated or its affiliates be liable for any damages, direct or indirect, consequential or compensatory, arising out of the use of this material.