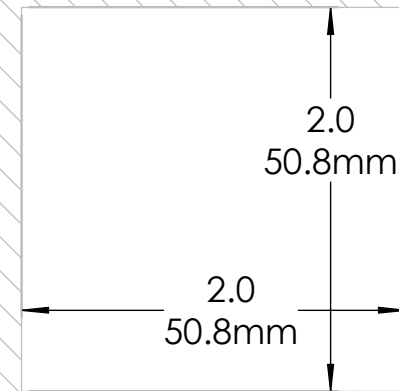


AUDI B8 CHASSIS
Q5 BREMBO FRONT BIG BRAKE KIT
WHEEL FITMENT TEMPLATE



CHECK SCALE OF PRINTOUT!
WHEN PRINTING FROM ADOBE ACROBAT,
SET THE PRINT SCALE TO 100%. SOME OF THE
PAGE MAY BE CLIPPED WHEN PRINTING,
HOWEVER IT IS IMPORTANT THAT THE TEMPLATE
IS PRINTED TO SCALE.